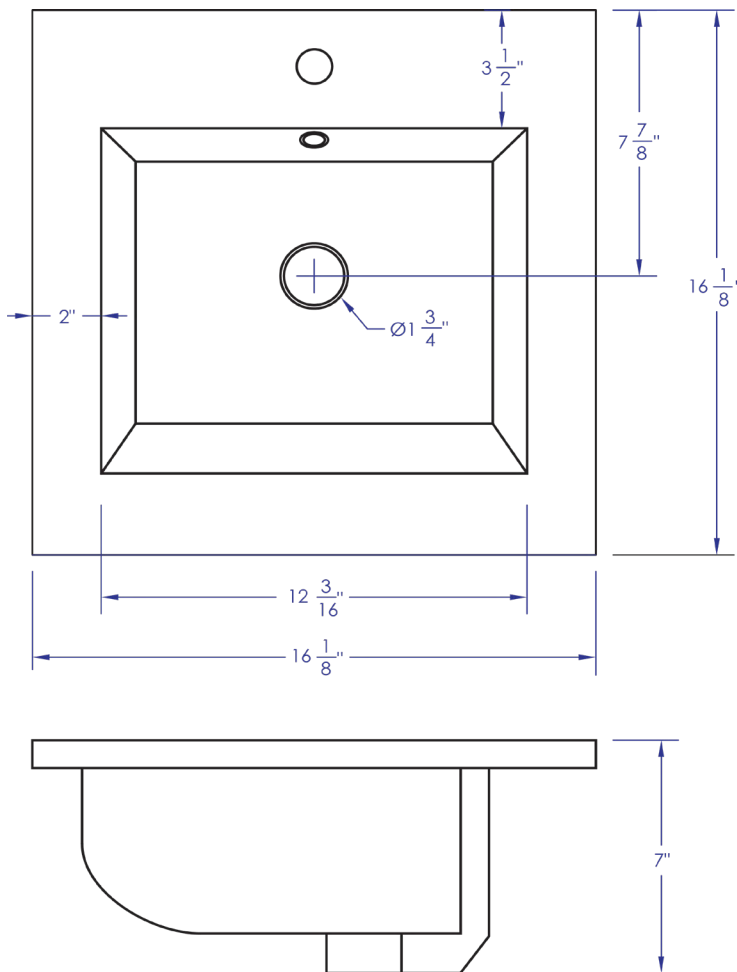




SPECIFICATION 16" X 16" MATT INTEGRAL SINK TOP



PRODUCT SKU	DCT16 Gloss White
DIMENSIONS	16 $\frac{1}{8}$ "W x 16 $\frac{1}{8}$ "D x 7"H
MATERIAL	Vitreous China
DRAIN OPENING	1 $\frac{3}{4}$ " Standard USA-Canada Drain Opening. Overflow with removable cap. Drain sold separately.
INSTALLATION	Drop-in Installation

FEATURES

- Smooth non-porous surface, prevents from discoloration, fading with antimicrobial properties.
- Easy to clean gloss finish; Double fired for durability and stain resistance.
- Quality control approved in Canada.

WARRANTY [5-Year Limited Warranty](#)

CERTIFIED



SPECIFICATION VARIANCE

Our products are handmade and hand finished to maintain close dimensional tolerances that may vary slightly; normally $\pm 1/8$ ", occasionally more. In most cases, this slight variation does not affect installation, appearance or function. We recommend that you measure your actual product when it arrives before you rough-in cabinetry or plumbing. We can not be held responsible by the end user if this guideline is not followed. We reserve the right to make revisions without prior notice to product specifications. Please feel free to email us with any questions or comments.

CUSTOMER SERVICE INFO@DMBATH.COM 1.888.398.8380

DMBATH.COM